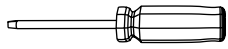




EXISTING DRAIN REMOVAL INSTRUCTIONS

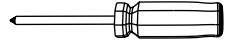
Recommended Tools and Materials



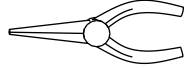
Flat Blade Screwdriver



Hack Saw Blade



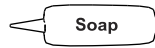
Phillips Screwdriver



Needle Nose Pliers



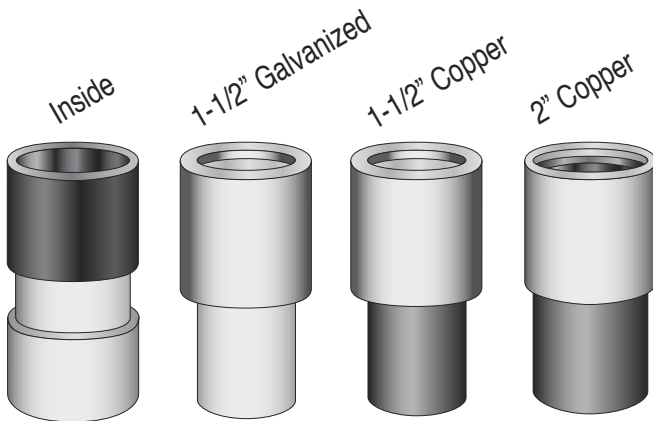
100% Silicone Chalk



Liquid Soap

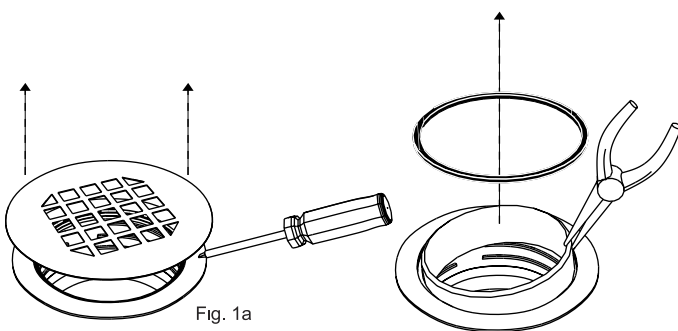
Optional tools for removal of AB&A Sure-Fit style drain assembly; Two Drywall Screws.

Adapters Available For Odd Pipe Sizes



Call 800-2000-2678 or wingtite.com

Removing Drain Seal System (Threaded Nut & Gasket Type) 2 Part System



1 Remove drain cover with flat blade screwdriver.
If fitted with an internal nut, remove nut.

2 Extract the compression gasket assembly exposing 2" pipe riser & drain body by unthreading compression nut and pulling gasket out with needle nose pliers

Removing Drain Seal System (AB&A Sure Fit) 3 Part System

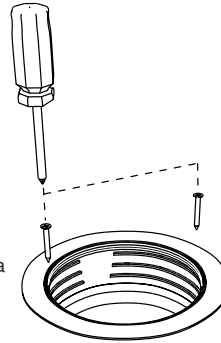


Fig. 3a

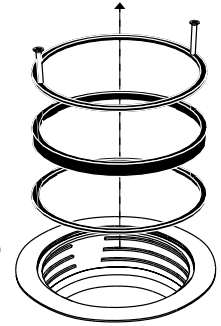
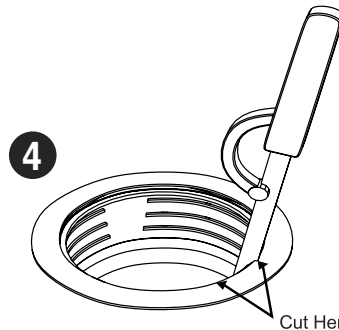


Fig. 3b

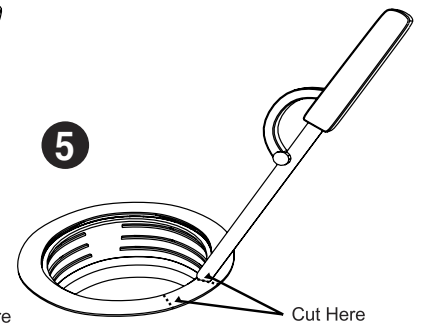
3 Remove Drain Cover with flat blade screwdriver (as in fig. 1a). Insert Drywall screws into opposite sides of ring-gasket and split ring removing one at a time exposing 2" pipe riser & drain body.

Removal of Drain Body



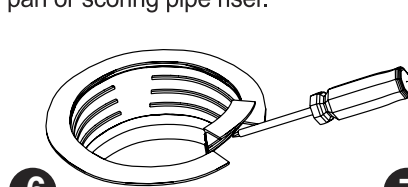
4

With hack saw, make two vertical cuts approx. 1" apart thru drain body. Cut completely thru drain body without cutting into shower pan or scoring pipe riser.



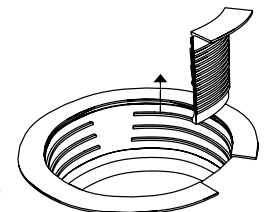
5

Make two cuts thru drain flange (horizontal part) approx 1" apart to weaken, but not deep enough to damage pan.



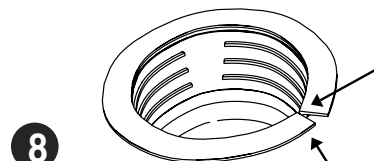
6

Once horizontal flange is cut, use flat blade screwdriver to pry on flange to break free from shower pan



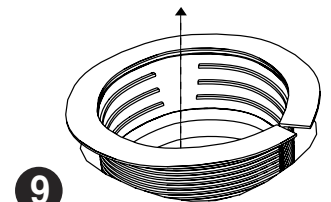
7

Remove 1" width of drain body from pan



8

Remaining shower drain body will collapse allowing retaining nut below shower base to drop. Nut stays below



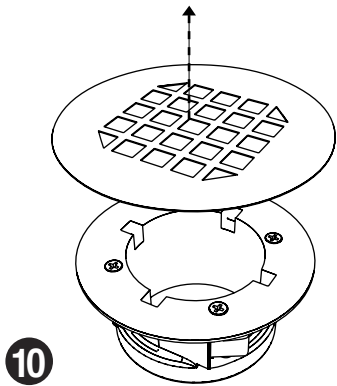
9

Remove shower drain from pan



WINGTITE INSTALLATION INSTRUCTIONS

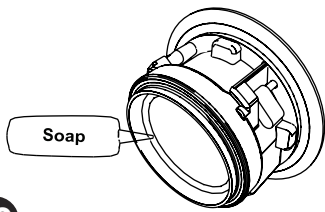
Wingtite Drain Installation



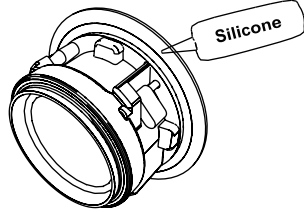
10
Remove Drain Cover



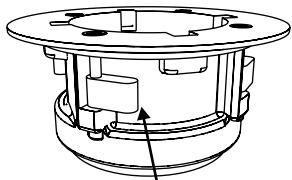
11
Clean Shower drain above and below pan to insure proper seal and unrestricted wing movement



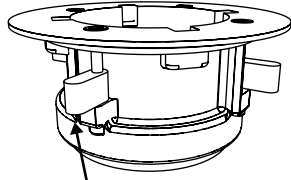
12
Apply liquid soap to drain o-ring as lubricant.



13
Apply a generous amount of silicone caulk to underside of WingTite drain flange

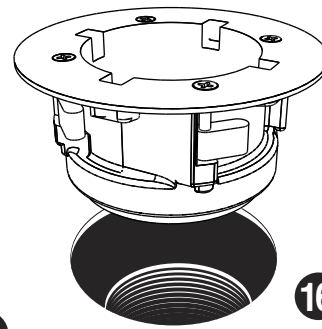


Correct Position

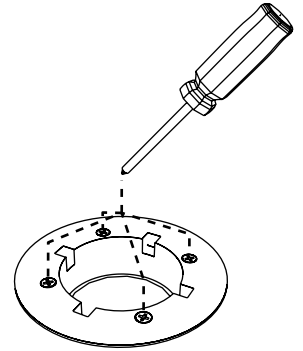


Incorrect Position

14
The four fastening wings must be against drain body at time of insertion into shower pan.

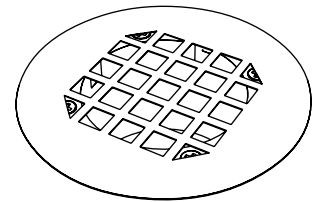


15
Insert drain into shower pan and press evenly over 2" drain pipe. Once drain has made contact with shower pan, hold firmly in place.



16
Tighten all four phillips head wing screws evenly until drain is secure in pan. **20 inch pounds maximum!**
DO NOT TIGHTEN WING SCREWS WITH POWER TOOLS !!!

17
Clean Excess Silicone From Drain and pan with rag. Test the shower drain and install cover.



Patented
"O" ring seal
allows for flexing
shower pans!



WINGTITE.COM
800-200-2678
PLUMBRITE MFG. INC.,
MODESTO, CA 95352